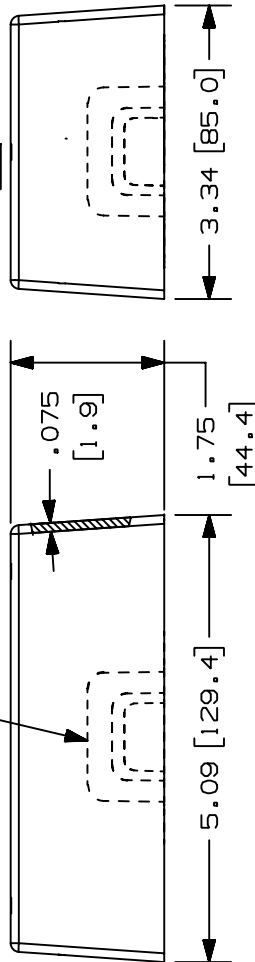
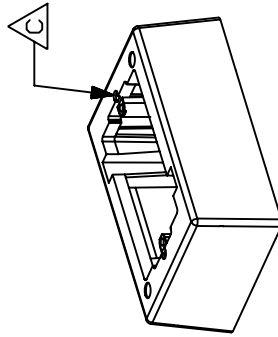
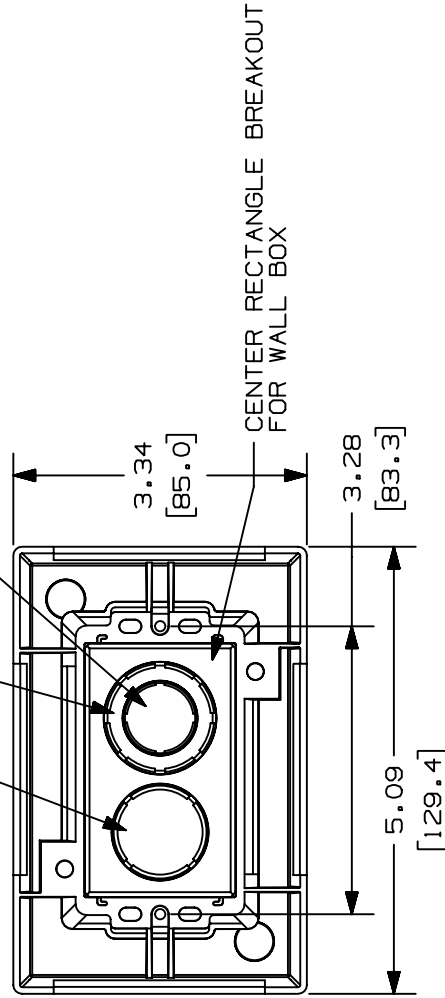


THIS COPY IS PROVIDED ON A RESTRICTED BASIS AND IS NOT TO BE USED IN ANY WAY DETRIMENTAL TO THE INTERESTS OF PANDUIT CORP. NO WARRANTY, EXPRESSED OR IMPLIED, IS MADE BY PANDUIT WITH RESPECT TO ADHESIVE BOND PERFORMANCE. AMONG OTHER THINGS, THE CONDITIONS UNDER WHICH THESE MOUNTS MAY BE APPLIED AND/OR THE SURFACE TO WHICH THEY MAY BE APPLIED ARE BEYOND PANDUIT CONTROL.

LD STYLE BREAKOUTS ON EACH OF THE FOUR SIDE WALLS



BREAKOUT FOR 3/4" CONDUIT
 BREAKOUT FOR 1" CONDUIT
 BREAKOUT FOR 1/2" CONDUIT



- NOTES:
- SEE CURRENT CATALOG FOR ADDITIONAL PART SUFFIXES TO INDICATE COLOR AND OR PACKAGE QUANTITY.
 - ADHESIVE PRESSURE SENSITIVE FOAM .040 (1.0) THICK WITH PROTECTIVE LINER IS PROVIDED FOR EASE OF MOUNTING.
 - DIMENSIONS IN PARENTHESIS ARE IN METRIC.

PANDUIT P/N	WEIGHT
JBI-A	1.7 LB/10 PCS. (759.1 G/10 PCS.)

WAS D35541DA_JBI_C_00.PRT
 D35541DQ_DC_JBI_00.PRT

CAO FILENAME/LAYERS

PANDUIT

CORP. TINLEY PARK, ILLINOIS
 ONE PIECE JUNCTION BOX (JBI-A)
 CUSTOMER DRAWING

UNLESS OTHERWISE SPECIFIED, DIMENSIONAL TOLERANCES ARE:
 (.X) ± .XXX
 (.XX) ± .03 (.8) ANGLES ±

UNLESS OTHERWISE SPECIFIED, ALL DIMENSIONS ARE GIVEN IN INCHES, THIRD ANGLE PROJECTION.

DRAWN BY MAT'L:

SCALE NONE

DATE 10-15-96
 CHK'D CEF

POLYSTYRENE

DRAWING NO.

35541-53
 DWG SIZE A

35541-53 HIW HIW

35541-53 CEF CEF

ECN - R CUST SUP

1 03-12-99 DW HIW
 A. REV'D BREAKOUT WHERE NOTED. D. REV'D BREAKOUT
 C. ADDED FEATURE WHERE NOTED. B. MAT'L WAS ABS/POLYCARBONATE

R 10-15-96 PM CEF
 RELEASED TO PRODUCTION

REV DATE BY CHK DESCRIPTION